

EVS DRY CHEMICAL CYLINDERS

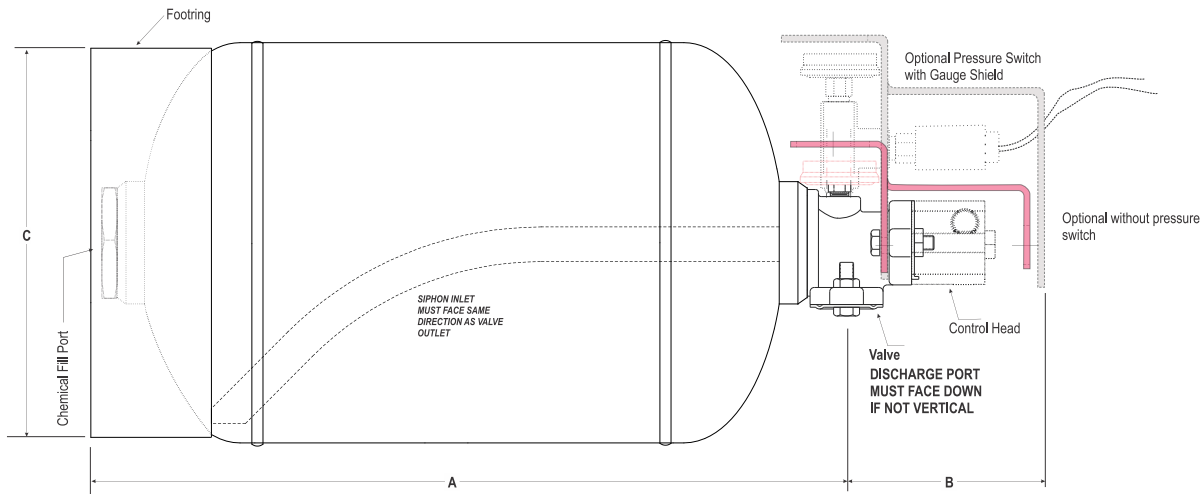
Systems to be implemented according to DIOM Manual 42-131550-000



FEATURES

- Wide temperature approval: FM Approved -65F (-53.8C) to 200F (93.3C)
- Four capacities for versatility in coverage options
- Reliable, proven valve assembly
- Available with Optional Supervisory Pressure Switch
- 90% Monoammonium Phosphate (MAP) (Recharge with **WK-806411-000 only**)
- Flexible Mounting Options
- Use with Sentinel SA1 and Sentinel NET Controllers

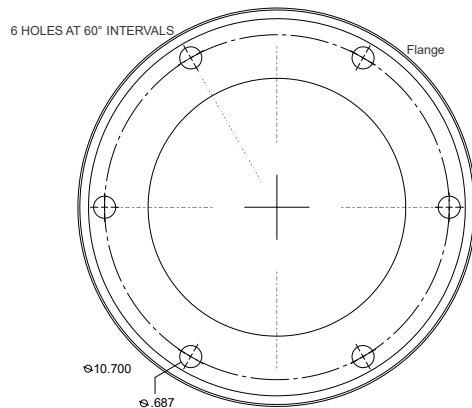
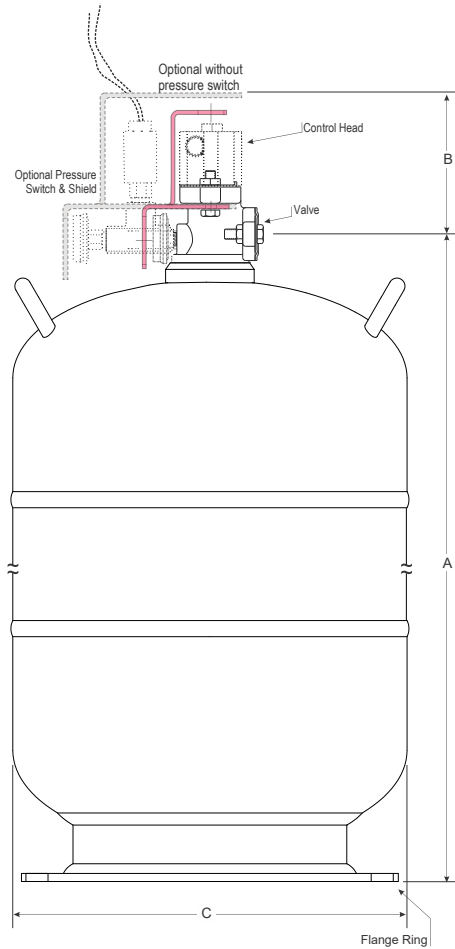
Where Used	EVS	DCS	LS
	✔	✘	✘



EVS-25H Cylinder Dimensions [inches] [see table]

Cylinder	A (to outlet)	B (Outlet to top of Shield)	C (Shell Diameter)
EVS-25H (mount horizontal or vertical)	20.5	5.25	9

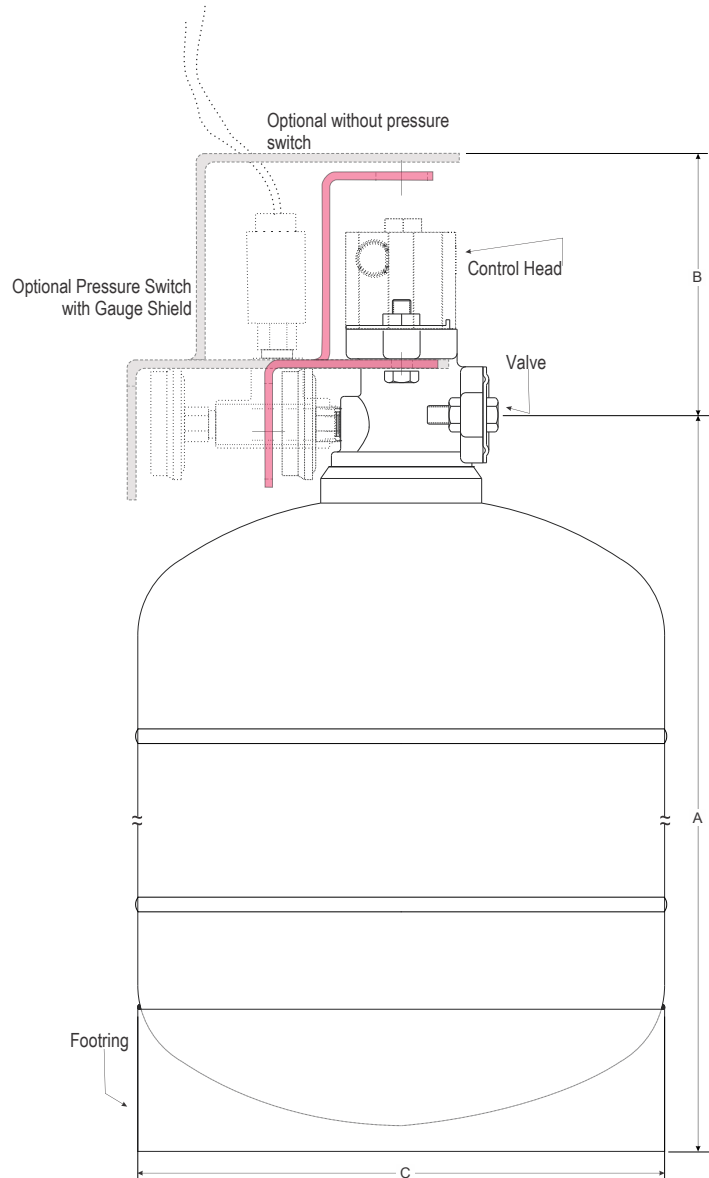
This literature is provided for informational purposes only. Envirotech Fire Systems, Inc. assumes no responsibility for the product's suitability for a particular application. The product must be properly applied to work correctly. Envirotech Fire Systems, Inc. believes this data to be accurate, but it is published and presented without any guarantee or warranty whatsoever. If you need more information on this product, or if you have a particular problem or question, contact Envirotech Fire Systems, Inc. Systems shall be deployed according to applicable Design, Installation, Operation and Maintenance Manual.



EVS-50S and EVS-68 Cylinders with Dimensions [inches] [see table]

Cylinder	A (to outlet)	B (Outlet to top of Shield)	C (Shell Diameter)
EVS-50S (Vertical Only)	24.10	5.25	12.25
EVS-68 (Vertical Only)	35.40		

This literature is provided for informational purposes only. Envirotech Fire Systems, Inc. assumes no responsibility for the product's suitability for a particular application. The product must be properly applied to work correctly. Envirotech Fire Systems, Inc. believes this data to be accurate, but it is published and presented without any guarantee or warranty whatsoever. If you need more information on this product, or if you have a particular problem or question, contact Envirotech Fire Systems, Inc. Systems shall be deployed according to applicable Design, Installation, Operation and Maintenance Manual.













EVS-33 and EVS-50T Cylinders with Dimensions [inches] [see table]

Cylinder	A (to outlet)	B (Outlet to top of Shield)	C (Shell Diameter)
EVS-33 (Vertical Only)	26.25	5.25	9
EVS-50T (Vertical Only)	33.30		

This literature is provided for informational purposes only. Envirotech Fire Systems, Inc. assumes no responsibility for the product's suitability for a particular application. The product must be properly applied to work correctly. Envirotech Fire Systems, Inc. believes this data to be accurate, but it is published and presented without any guarantee or warranty whatsoever. If you need more information on this product, or if you have a particular problem or question, contact Envirotech Fire Systems, Inc. Systems shall be deployed according to applicable Design, Installation, Operation and Maintenance Manual.

PRODUCT INFORMATION

Description	Part Number	Switch	Weight [lbs]	Data Sheet
Dry Chemical Cylinder & Valve Assembly, EVS-25H, no Pressure Switch	42-824171-025	Pressure Switch 	48	EFS-42-1110
Dry Chemical Cylinder & Valve Assembly, EVS-25HP, with Pressure Switch	42-824171-225	Pressure Switch 	49	
Dry Chemical Cylinder & Valve Assembly, EVS-33, no Pressure Switch [vertical only]	42-824111-033	Pressure Switch 	60	
Dry Chemical Cylinder & Valve Assembly, EVS-33P, with Pressure Switch [vertical only]	42-824111-233	Pressure Switch 	61	
Dry Chemical Cylinder & Valve Assembly, EVS-50T no Pressure Switch [vertical only]	42-824111-050	Pressure Switch 	83	
Dry Chemical Cylinder & Valve Assembly, EVS-50TP, with Pressure Switch [vertical only]	42-824111-250	Pressure Switch 	84	
Dry Chemical Cylinder & Valve Assembly, EVS-50S, no Pressure Switch [vertical only]	42-824112-050	Pressure Switch 	93	
Dry Chemical Cylinder & Valve Assembly, EVS-50SP with Pressure Switch [vertical only]	42-824112-250	Pressure Switch 	94	
Dry Chemical Cylinder & Valve Assembly, EVS-68, no Pressure Switch [vertical only]	42-824112-068	Pressure Switch 	127	
Dry Chemical Cylinder & Valve Assembly, EVS-68P, with Pressure Switch [vertical only]	42-824112-268	Pressure Switch 	128	

RELATED PRODUCTS INFORMATION

Discharge Adapter Kit (for all EVS and Sentinel Cylinders) [order separately]	83-844908-000			EFS-42-1160
EVS Gauge Shield, no switch	42-425000-000			EFS-42-1414
Gauge Shield, EVS MkII, for Pressure Switch	42-824010-100			
EVS Control head (electric, pneumatic) [order separately]	42-132500-000			EFS-42-2460
EVS protractor Electric Actuator for 42-132500-000 [order separately]	42-002089-001			EFS-42-2470
Rebuild Kit – EVS MkII and KVS Cylinder Valves	87-120067-001			EFS-42-1413
Replacement Supervisory Pressure Switch, EVS MkII, DCS	83-131411-200			EFS-42-2510

Mounting Hardware

Item	Part Number	Cylinder	Datasheet
Shelf Bracket- EVS-25H, DCS-25	WK-269189-000	EVS-25H, DCS-25	EFS-42-1210
Shelf Bracket- EVS-33, EVS-50T, DCS-50T	WK-296188-000	EVS-33, EVS-50T	
Shelf Bracket- EVS-68 DCS-68	83-131003-001	EVS-68, DCS-68	
Shelf Bracket, LS-10, EVS-68, DCS-68	83-130400-510	EVS-68, DCS-68, LS-10	
Weld Ring, EVS-68, EVS-50S, DCS-68, DCS-50S, LS-10	83-131400-568	EVS-68, EVS-50S	EFS-42-1211
Bracket, EVS-25H, DCS-25	83-131400-525	EVS-25H, DCS-25	EFS-42-1212
Frame Bracket EVS-50S DCS-50S	83-131400-550	EVS-50S	
Frame Bracket EVS-50T DCS50T	83-131400-555	EVS-50T	

This literature is provided for informational purposes only. Envirotech Fire Systems, Inc. assumes no responsibility for the product's suitability for a particular application. The product must be properly applied to work correctly. Envirotech Fire Systems, Inc. believes this data to be accurate, but it is published and presented without any guarantee or warranty whatsoever. If you need more information on this product, or if you have a particular problem or question, contact Envirotech Fire Systems, Inc. Systems shall be deployed according to applicable Design, Installation, Operation and Maintenance Manual.